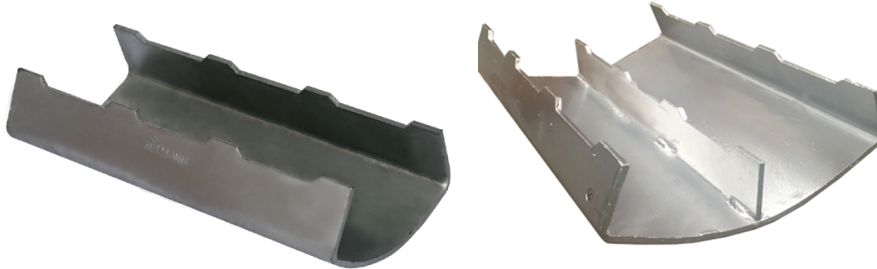
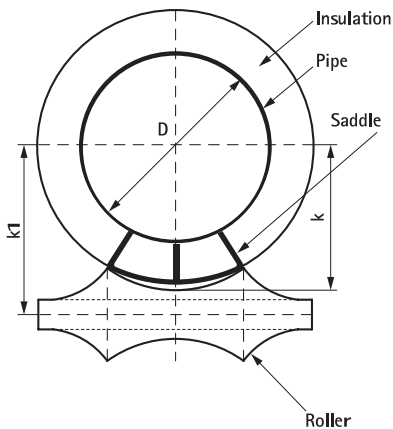


## Pipe Covering Protection Saddle



### Features and Benefits

- recommended to be used with insulated pipes
- protects the pipe insulation over pipe lines
- length: 300 mm
- material: steel
- designed to meet MSS Standard SP-58, SP-69, type 39A and 39B
- Surface Protection
  - Hot dip galvanized as per ASTM A123/A123M Standards



Part No.	D (mm)	D (")	k (mm)	k1 (mm)	Fa,z (N)	Insulation Thickness	Matching Roller Chair
DMPPS100-25	115.0	4.0	89	114	6000	25	DMC166168
DMPPS100-50	115.0	4.0	115	145	6000	50	DMC166220
DMPPS100-75	115.0	4.0	140	176	6000	75	DMC166273
DMPPS125-25	140.0	5.0	103	131	9500	25	DMC166220
DMPPS125-50	140.0	5.0	129	165	9500	50	DMC166273
DMPPS125-75	140.0	5.0	154	196	9500	75	DMC166323
DMPPS150-25	168.0	6.0	116	146	9500	25	DMC166220
DMPPS150-50	168.0	6.0	142	178	9500	50	DMC166273
DMPPS150-75	168.0	6.0	167	209	9500	75	DMC166323
DMPPS200-25	219.0	8.0	143	179	9500	25	DMC166273
DMPPS200-50	219.0	8.0	169	211	9500	50	DMC166323
DMPPS200-75	219.0	8.0	194	244	9500	75	DMC166406
DMPPS250-25	273.0	10.0	170	212	12500	25	DMC166323
DMPPS250-50	273.0	10.0	196	261	12500	50	DMC166406
DMPPS250-75	273.0	10.0	221	288	12500	75	DMC166457
DMPPS300-25	323.0	12.0	196	261	12500	25	DMC166406
DMPPS300-50	323.0	12.0	222	289	12500	50	DMC166457
DMPPS300-75	323.0	12.0	247	322	12500	75	DMC166508
DMPPS350-25	356.0	14.0	212	277	29000	25	DMC166406
DMPPS350-50	356.0	14.0	238	305	29000	50	DMC166457
DMPPS350-75	356.0	14.0	263	339	29000	75	DMC166508
DMPPS400-50	406.0	16.0	263	339	29000	50	DMC166508
DMPPS400-75	406.0	16.0	289	365	29000	75	DMC166610
DMPPS450-50	457.0	18.0	289	365	29000	50	DMC166610
DMPPS450-75	457.0	18.0	315	393	29000	75	DMC166610
DMPPS500-50	508.0	20.0	315	393	29000	50	DMC166610
DMPPS500-75	508.0	20.0	340	425	29000	75	DMC166660
DMPPS600-50	610.0	24.0	366	457	45000	50	DMC166712
DMPPS600-75	610.0	24.0	392	489	45000	75	DMC166762
DMPPS750-50	762.0	30.0	442	554	45000	50	DMC166863
DMPPS750-75	762.0	30.0	468	588	45000	75	DMC166914

Custom made heavy Pipe Covering Protection Saddles are available on request. See second image for an example.