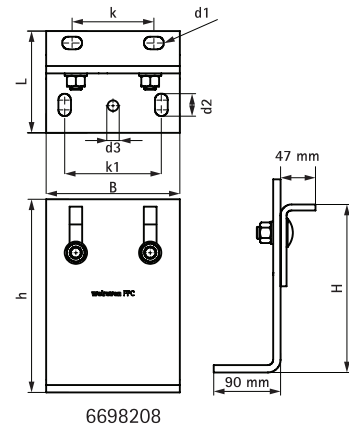
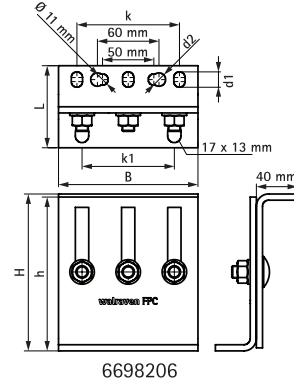


Fixpoint Console (BUP1000)



Features and Benefits

- flexible use console module for high forces (depending on the situation, detailed design by technical service)
- can be used as a pipe connection point in conjunction with 2 or 3 heavy-duty clamps type HD500 or HD1501 ideal as fix point
- tightening torque 75Nm for the console fixing screws
- connection to the building is recommended with metal anchors
- infinitely adjustable height and inclination, high corrosion protection
- material: steel 1.0332
- surface protection:
 - product is part of the BIS Ultra Protect® 1000 system
 - suitable for in- and outdoor applications
 - stands min. 1,000 hours salt spray test (max 50/o red rust) according to ISO 9227

Part No.	Model	HD500 max.	No of Clamps	L (mm)	B (mm)	H (mm)	h (mm)	d1 (mm)	d2 (mm)	d3 (mm)	k (mm)	k1 (mm)	Fa,z (N)	Fa,y (N)	Fa,x (N)	Pack 1
6698206	FPC Console Medium	148 - 277	3	80	136	153 - 268	150	15 x 11	Ø 13.0	-	100	90	14,300	11,500	3,200	1
6698208	FPC Console Heavy	229 - 564	2	137	180	226 - 333	260	27 x 17	30 x 17	Ø 17.0	110	130	10,000	9,300	3,700	1

*Depending on the situation, please contact Walraven Technical Support for advice on safe loads.
 Note! Console Clamps and Anchors are to be ordered separately.