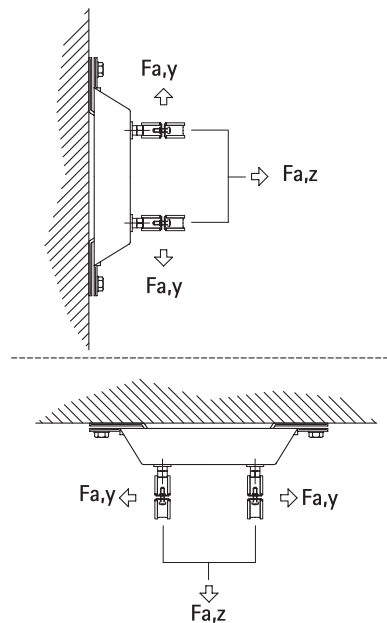
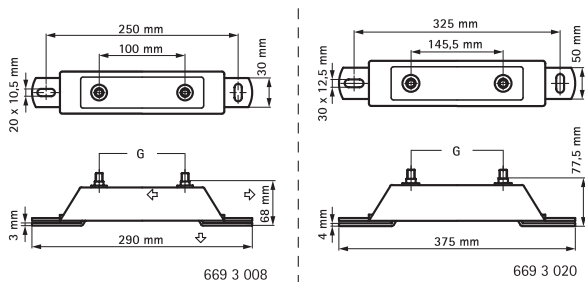


## dBFIX® 80/200 Fixing Point Assembly for noise insulation fixing point



### Features and Benefits

- noise insulating fixing point for pipes (clamp BIS HD500 Ø59 - 65 mm)
- very stable
- material steel
- sound insulating lining according to DIN 4109
- fixing point for pipes (clamp BIS HD500 Ø59 - 65 mm)
- very stable
- material steel

Part No.	G	Fa,z (N)	Fa,Y (N)	Pack 1
6693008	M10	3,000	2,700	10
6693020	M12	7,000	6,600	5